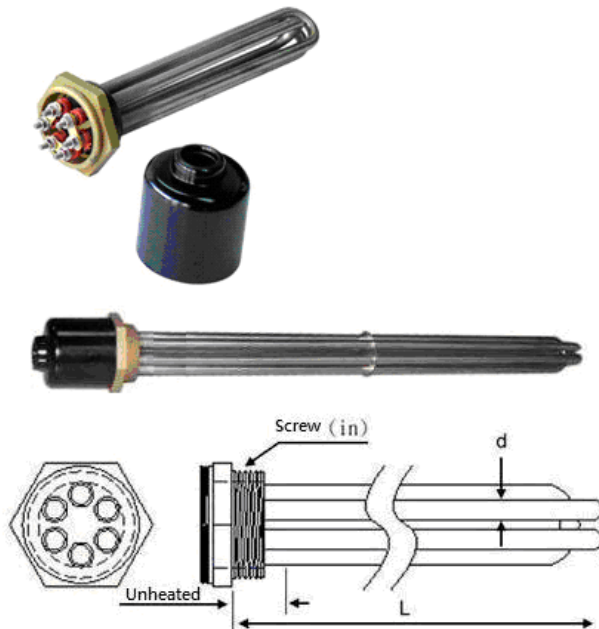




Manufacturer of Electric Heating Elements and Controls

Screw Plug Immersion Heaters



Synheat manufactures screw plug immersion heaters for heating of water and oil. Available in stainless steel 304 or stainless steel 316L with brass plug or stainless steel plug. Plug available in 1-1/2", 2" and 2-1/2" BSP, BSPP & NPT Standard.

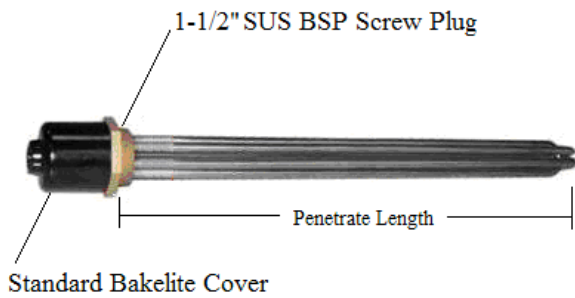
Immersion heaters are used as heat source in domestic water heaters, dish washers, industrial baths, oil radiators.

The immersion heaters are built with tubular elements with flanges, nipples or plugs soldered or welded onto them. The immersion heater can be fitted with thermostat, temperature limiter and connection box. There are also thermostats and temperature limiters for mounting inside the tubular element.

As alternative we also offer immersion heaters made of ceramic elements. We also produce according to customer specification. Contact us if you do not find what you are looking for and we will help you.

Tubular elements in stainless steel AISI 304 & 316L sheath.
 Sheath diameter 8.2mm or 11.2 mm with design thermal pocket for thermostat or thermocouple protection if require. Brass or Stainless Steel plug 1-1/2", 2" & 2-1/2" BSP,BSPP NPT standard.

Standard screw plug water immersion heater



Tubular elements in stainless steel or brass plug

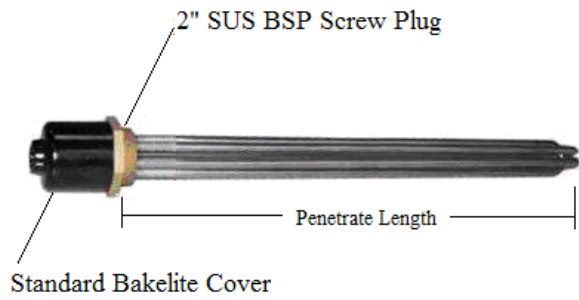
Screw plug water immersion heaters

Sheath with diameter 8.2mm tubular element in stainless steel ANSI 304 or ANSI 316L material.

Approximate 50 Watts Per Inches sq.

Brass or Stainless Steel plug 1-1/2" BSP,BSPP or NPT

Power W	Voltage V	Penetrate length mm
1500	240/415	180
2000	240/415	235
3000	240/415	320
4500	240/415	440
6000	240/415	580
7500	240/415	700
9000	240/415	840
10500	240/415	970
12000	240/415	1100
15000	3 x 415	1300



Tubular elements in stainless steel or brass plug

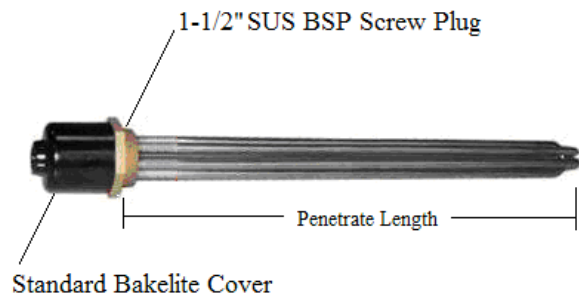
Screw plug water immersion heaters

Sheath with diameter 11.2mm tubular element in stainless steel ANSI 304 or ANSI 316L material.

Approximate 50 Watts Per Inches sq.

Brass or Stainless Steel plug 2" BSP,BSPP or NPT

Power W	Voltage V	Penetrate length mm
1800	240/415	180
3200	240/415	270
4800	240/415	360
6000	240/415	440
7500	240/415	530
9000	3x415	620
12000	3x415	800
15000	3x415	1000
18000	3x415	1200



Tubular elements in stainless steel or brass plug

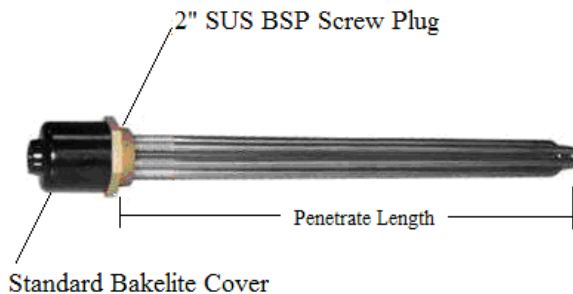
Screw plug oil immersion heaters

Sheath with diameter 8.2mm tubular element in stainless steel ANSI 304 or ANSI 316L material.

Approximate 20 Watts Per Inches sq.

Brass or Stainless Steel plug 1-1/2" BSP, BSPP or NPT

Power W	Voltage V	Penetrate length mm
1000	230/400	270
2000	230/400	480
3000	230/400	680
4500	230/400	1000
6000	230/400	1300



Tubular elements in stainless steel or brass plug

Screw plug hydraulic oil immersion heaters

Sheath with diameter 11.2mm tubular element in stainless steel ANSI 304 or ANSI 316L material.

Approximate 50 Watts Per Inches sq.

Brass or Stainless Steel plug 2" BSP, BSPP or NPT

Power W	Voltage V	Penetrate length mm
1000	240/415	220
2000	240/415	370
3000	240/415	520
4500	240/415	730
6000	240/415	1000