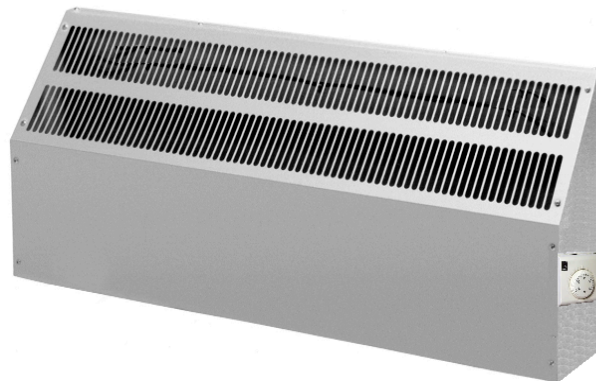
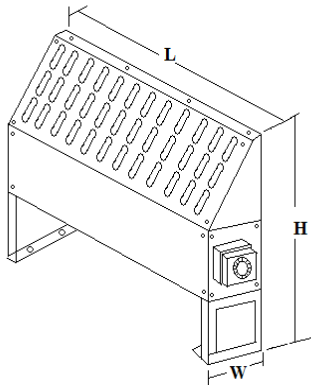




Manufacturer of Electric Heating Elements and Controls

Convection Heaters



Convection heaters are designed to heat the air in a room and distribute it as evenly as possible. They're good for background warmth, especially in well-insulated houses. Convection heaters warm the air around the heater. This warm air then rises and is replaced by cooler air which is in turn heated. While this means all convection heaters create a certain amount of air movement, it's not usually enough to distribute the warmth evenly throughout the room.

This maintains a desired average room temperature (as long as it's within the heater's capacity), and should have a control that's easy to read and set.

Power W	Voltage V	Length mm
300	120 - 480	L405 x W200 x H605
500	120 - 480	L405 x W200 x H605

1000	120 - 480	L500 x W200 x H605
1500	120 - 480	L500 x W200 x H605
2000	120 - 480	L550 x W200 x H605
3000	120 - 480	L600 x W200 x H605
4000	120 - 480	L700 x W200 x H605
5000	120 - 480	L800 x W200 x H605
6000	120 - 480	L800 x W200 x H605